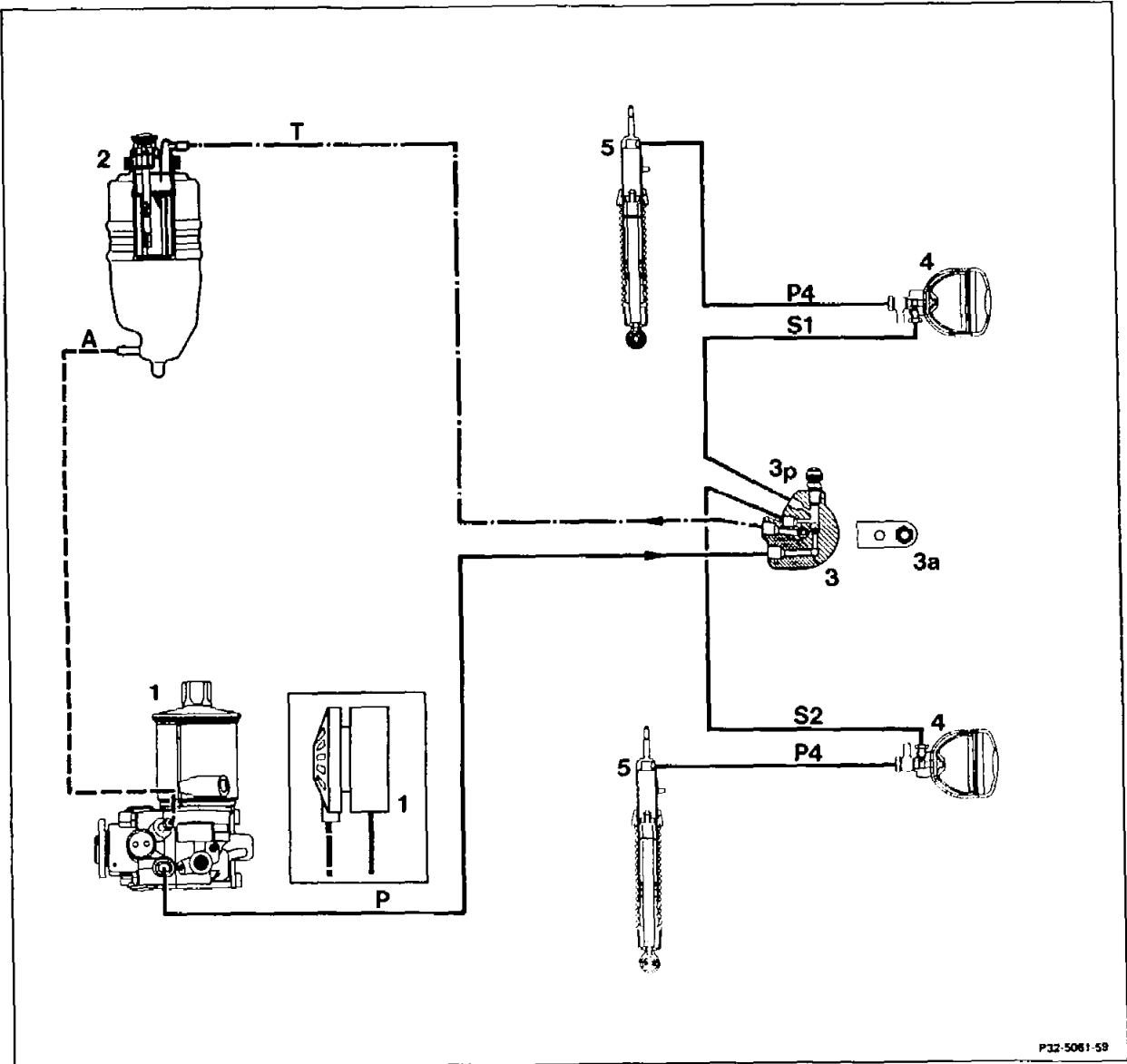


32-0630 Emptying and filling pressure oil system

Operation no. of operation texts and work units or standard texts
and flat rates:
32-0800

A. Models 124 and 201 with level control on rear axle



Emptying pressure oil system

Oil drain hose Connect, disconnect at oil drain plug (3p) on level controller (3).

Oil drain plug (3p) Open slowly, release pressure and collect the oil in a clean container. Then close oil drain plug (3p), 14 Nm.

Filling pressure oil system

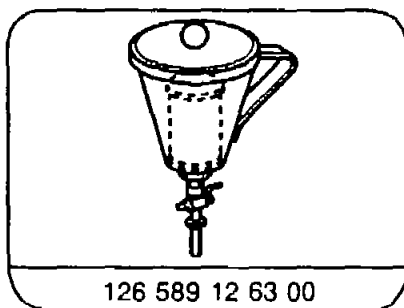
Oil reservoir (2) Fill with hydraulic oil (see table) using funnel 126 589 12 63 00 until the oil level is between the "min" and "max" marks on the oil dipstick.

Connecting rod (7) Disconnect, connect at level controller lever and move level controller lever to "filling" position. Replace self-locking hexagon nut, 10 Nm (step 5).

Engine Start and run at moderate speed for approx. 30 seconds. Then switch off engine. Refer to note under step 7.

Oil level in oil reservoir Check. The oil level should be between the "min" and "max" marks when the engine is switched off (step 7).

Special tools



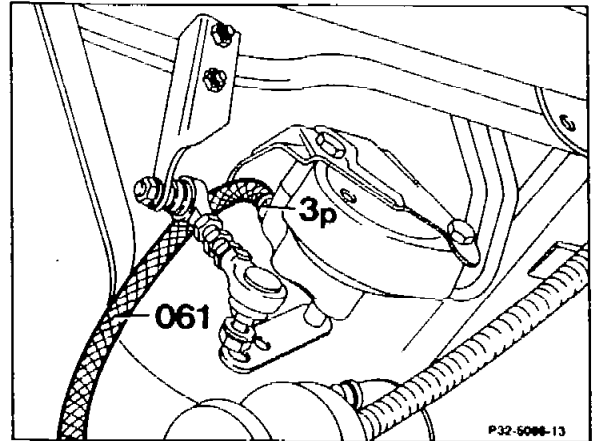
Service products and oil capacities

Hydraulic oil	See MB Specifications for Service Products, sheet 343 (1.0-liter can, part no. 000 989 91 03/10)
Total capacity of system	Approx. 2.0 l

Procedure

Emptying pressure oil system

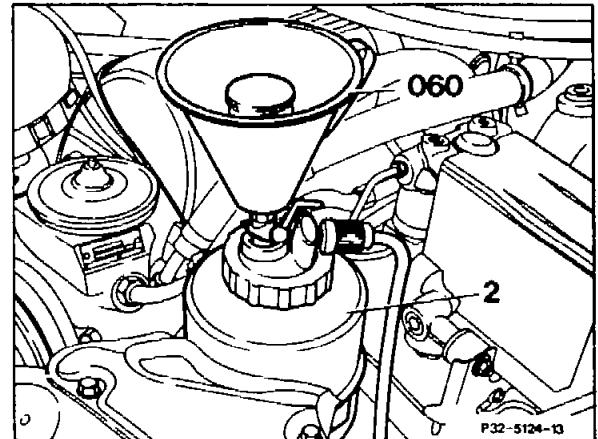
- 1 Connect oil drain hose (061) to oil drain plug (3p) on level controller.
- 2 Slowly open oil drain plug (3p) on level controller and collect the oil (approx. 0.5 l) in a clean container. Close oil drain plug, 14 Nm.



- 3 Pour collected oil into oil reservoir (2) through the funnel with filter (060).

Note

Only re-use oil if it is clean.

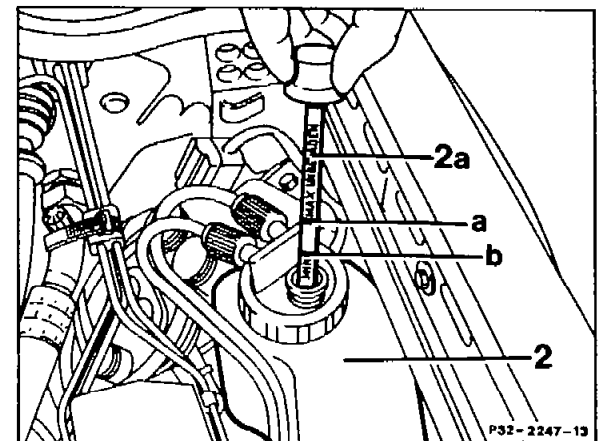


Filling pressure oil system

- 4 Check oil level in oil reservoir (2) and top up if necessary. The oil level should be approximately at the maximum mark (a) for filling the system when the spring struts are empty.

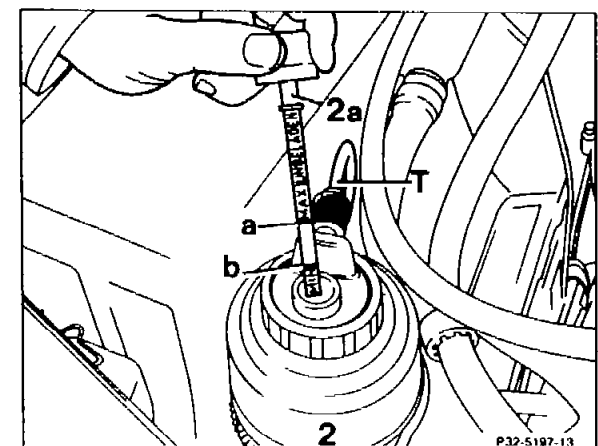
Arrangement on model 124

- 2 Oil reservoir
- 2a Cap with oil dipstick
- a Maximum mark
- b Minimum mark

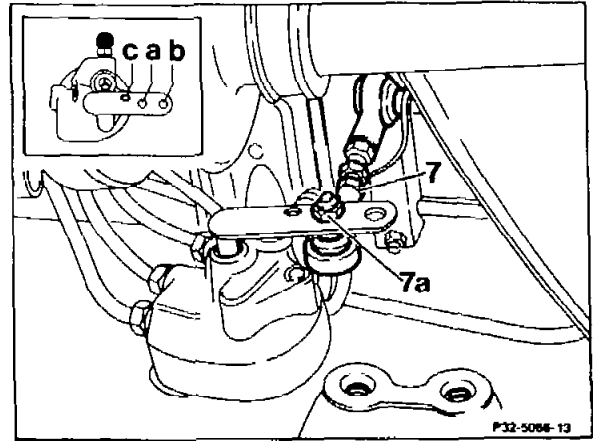


Arrangement on model 201

- 2 Oil reservoir
- 2a Cap with oil dipstick
- a Maximum mark
- b Minimum mark

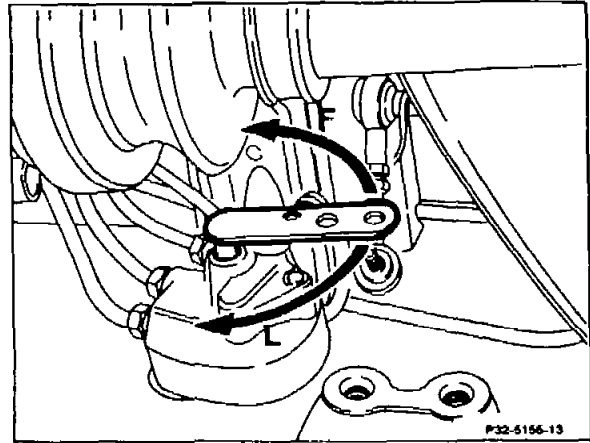


5 Detach, attach connecting rod (7) at level controller lever. Replace self-locking hexagon nut (7a), 10 Nm.



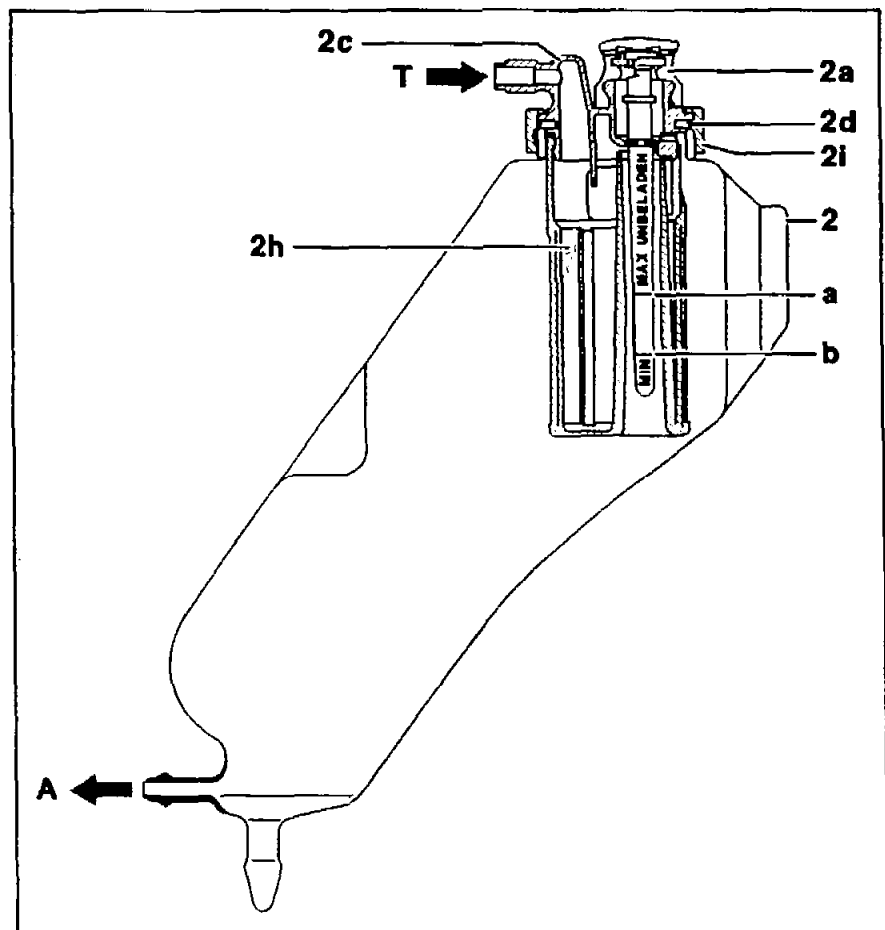
Model 201 in bore "a"
Model 124 in bore "b"

6 Move level controller lever to "filling" position and run engine at moderate speed for approx. 30 seconds.



If connecting rod is installed

Run engine at moderate speed for approx. 1 minute. During the filling process, load the rear end of the vehicle with approx. 120 kg in the trunk or keep pressed down so that the level controller is set to "filling".



- 2 Oil reservoir
 - 2a Cap with oil dipstick
 - 2c Cover with connection
 - 2d Rubber sealing ring
 - 2h Filter element
 - 2i Lock nut
 - a Maximum mark
 - b Minimum mark
 - A Suction line, oil reservoir - pressure oil pump
 - T Return line, level controller - oil reservoir.
- In ASD vehicles (arrow), ASD valve control unit - oil reservoir

P32-5785-37

7 Check oil level in oil reservoir (2) when engine is not running and correct if necessary. When the system is operational, the oil level should be between the "max" and "min" marks in the ready-to-drive condition.

Note

Only use approved hydraulic oils.



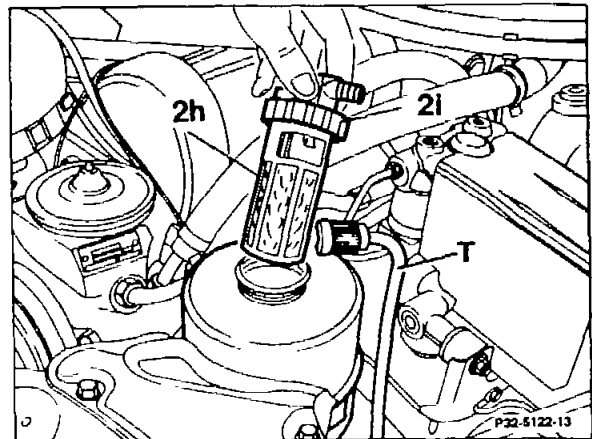
If during repair work the oil reservoir was emptied or the pressure oil pump/tandem pump was replaced or the high-pressure expansion hose unscrewed, the pump must be bled. To do this, move the level controller lever to the "emptying" or "neutral" position with the engine running (this is already the case on a raised vehicle) to ensure that the oil returns to the oil reservoir.

If no oil is supplied to the oil reservoir on ASD vehicles, disconnect the high-pressure expansion hose at the steel line and hold it in a container until the emerging oil is free of bubbles. Then repeat steps 4 to 7.

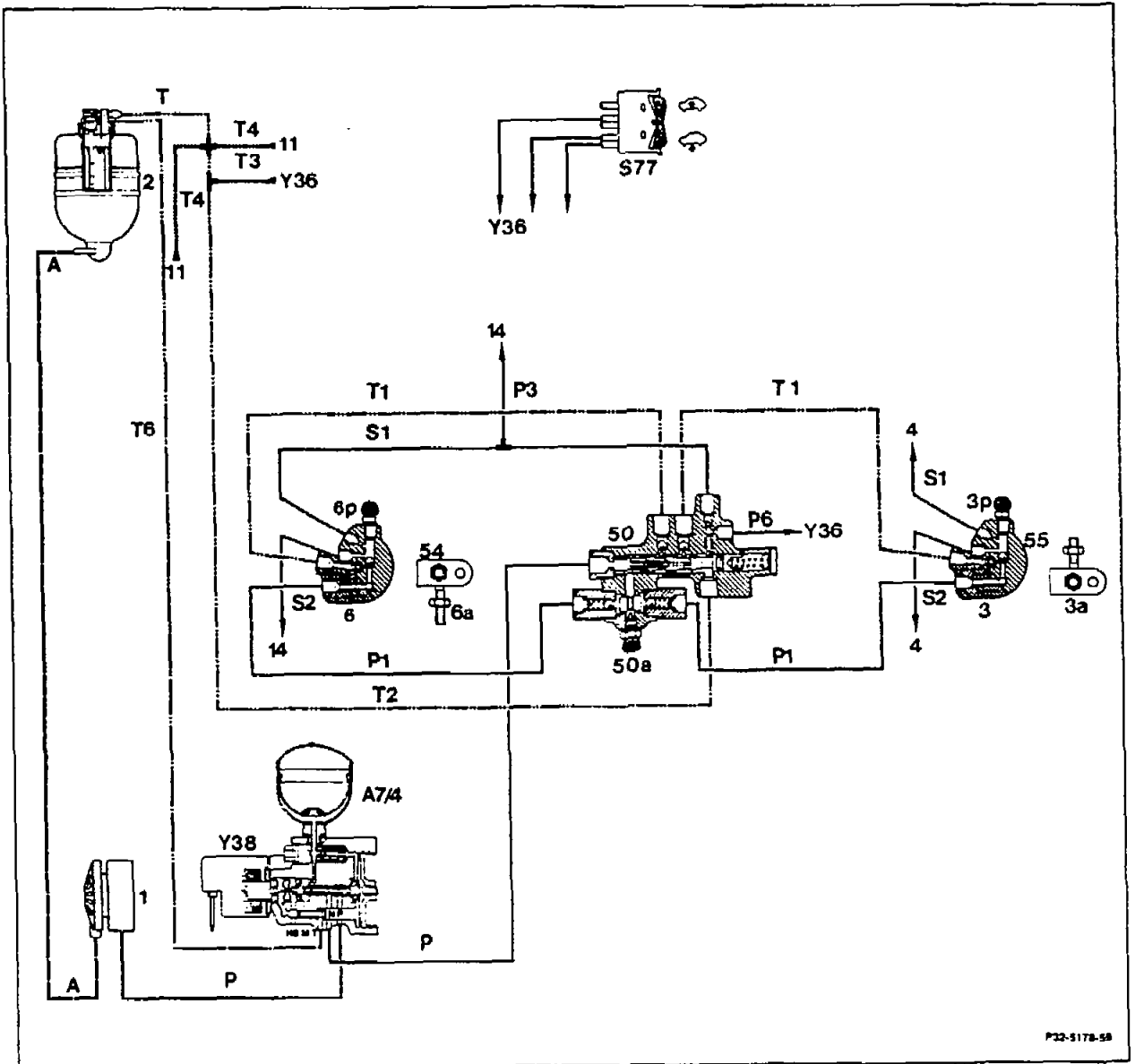
In vehicles up to approx. 12/87 a contaminated oil filter may falsify the results of the oil level check.

For this reason, the oil filter must be removed and inspected for contamination when checking the oil level.

- 2h Oil filter
- 2i Union nut
- T Return line



B. Models 201.034/035/036



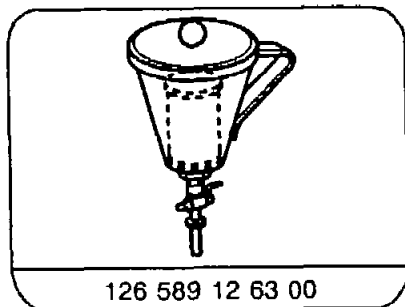
Emptying pressure oil system

- | | |
|--|--|
| <p>Oil drain hose</p> <p>Oil drain plugs (3p and 6p)</p> | <p>Connect, disconnect at oil drain plugs (3p and 6p) on level controllers.</p> <p>Open slowly, release pressure and collect the oil in a clean container. Then close oil drain plugs (3p and 6p), 14 Nm (step 1).</p> |
|--|--|

Filling pressure oil system

Oil reservoir (2)	Fill with hydraulic oil (see table) using funnel 126 589 12 63 00 until the oil level is between the "min" and "max" marks on the oil dipstick.
Level adjustment switch (S77)	In center position ("normal level").
Control rods (54 and 55)	Disconnect, connect at level controller lever. Replace self-locking hexagon nuts, 10 Nm.
Level controller levers (3a and 6a) on front and rear axles	Move to "filling" position (step 9).
Switch (50a)	Remove rubber cap and press switch. Only release switch when the vehicle level visibly rises at one axle (steps 10-13).
Engine	Start, switch off.
Pressure oil system	Fill until normal vehicle level is reached, while observing the oil level. If the suction line (A) was drained during filling, bleed pressure oil system (step 5).

Special tools



Service products and oil capacities

Hydraulic oil Hydrauliköl	See MB Specifications for Service Products, sheet 343
Total capacity of system	Approx. 3.5 l

Procedure

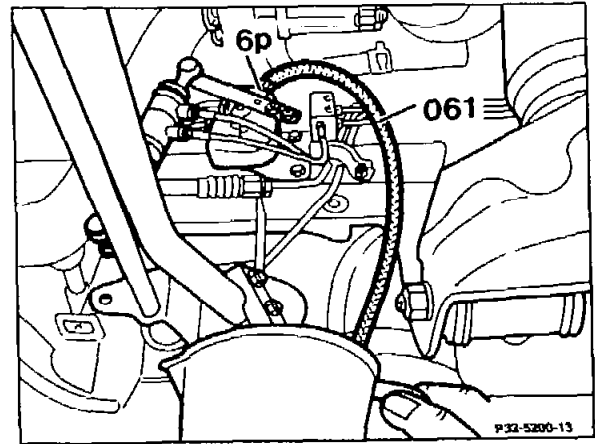
Emptying pressure oil system

1 Connect oil drain hose (061) to oil drain plugs (3p and 6p) on level controllers on front and rear axles.



The front wheels must be in the straight-ahead position (risk of damage to tires from wheelhouse).

2 Slowly open oil drain plug on level controller and collect the oil in a clean container. Close oil drain plug, 14 Nm.



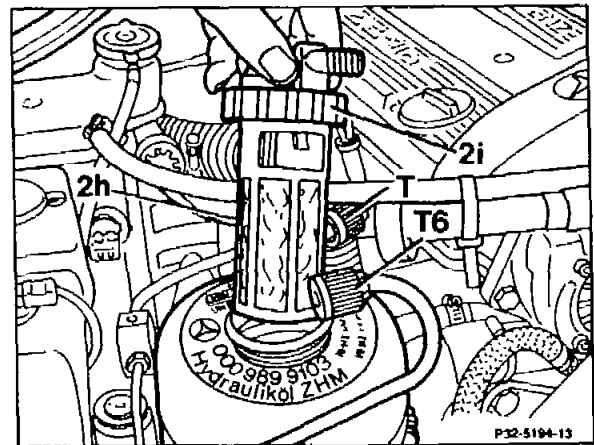
Filling pressure oil system

3 Disconnect return lines (T and T6). Unscrew union nut (2i) and remove oil filter.

4 Check that oil filter is clean and reinstall. Connect return lines (T and T6).

Note

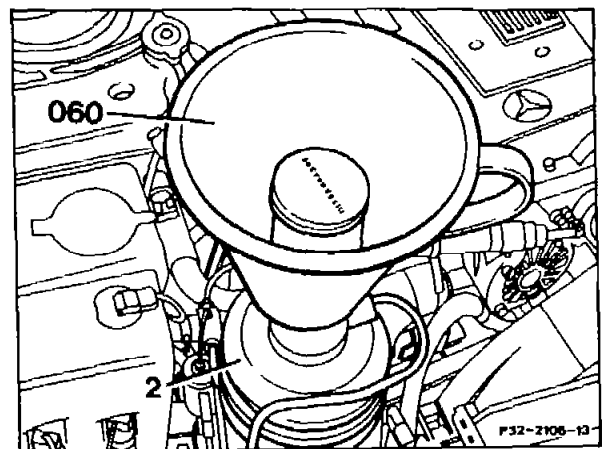
A contaminated oil filter (version up to approx. 12/87) will falsify the results of the oil level check.



5 Pour collected oil into oil reservoir (2) through the funnel with filter (060) until the oil level is above the "max" mark.

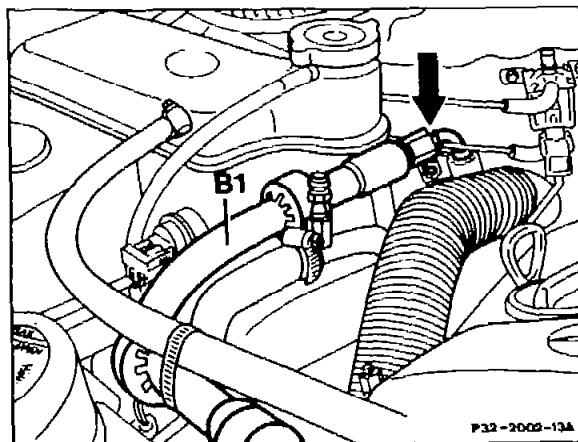
Note

Only re-use oil if it is clean.

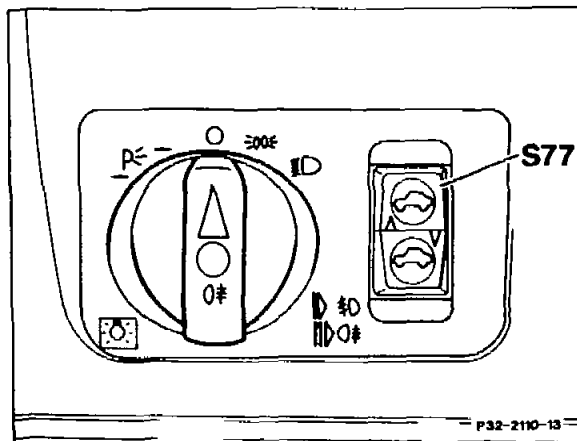


Note

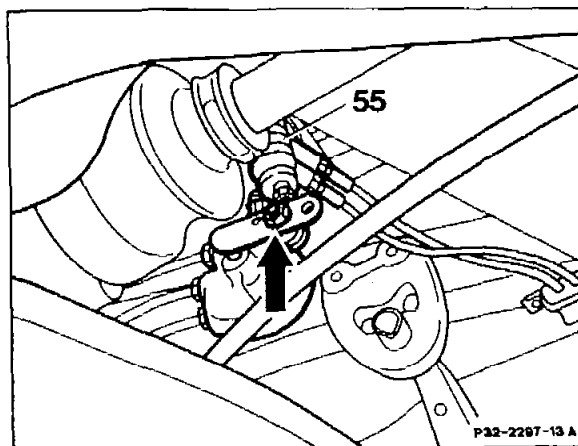
If the suction line between the oil reservoir and the pressure oil pump was emptied, the pressure oil pump must be bled. To do this, disconnect the pressure line (P) and hold the end of the hose in the opening of the oil reservoir with the engine running at moderate speed until an uninterrupted stream of oil emerges. Connect suction line.



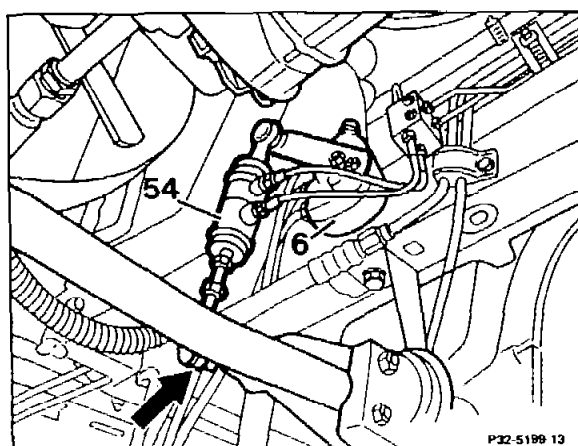
- 6 Move level adjustment switch (S77) to center position ("normal level").



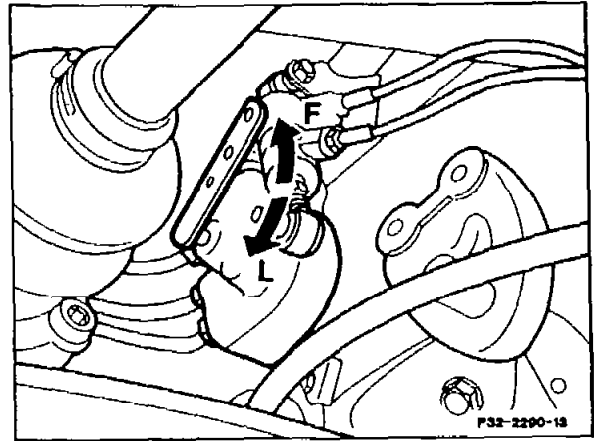
- 7 Unscrew self-locking hexagon nut (arrow) and disconnect rear axle control rod (55).



- 8 Disconnect front axle control rod (54) from torsion bar lever (arrow).



9 Move levers of level controllers on front and rear axles to "filling" position.

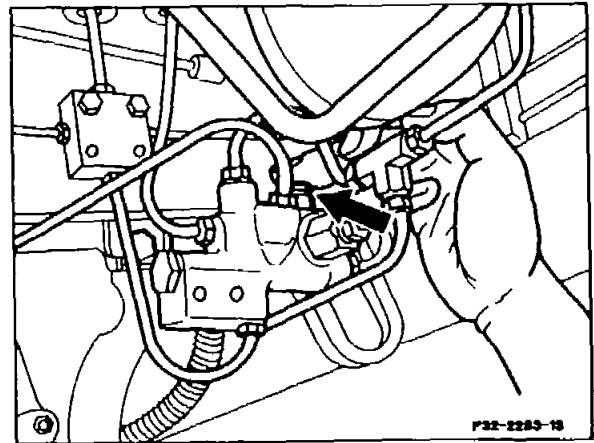


10 Remove rubber cap from switch (arrow).

11 Press switch (arrow) and hold in this position.

12 Get an assistant to start engine and run at idle.

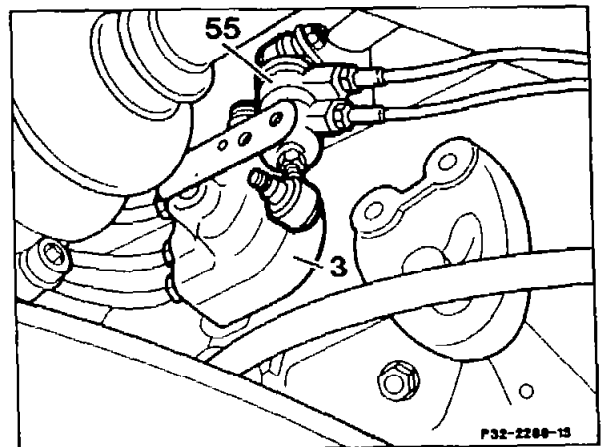
13 Release switch when vehicle level rises visibly at one axle (front or rear axle).



14 Move level controller lever on rising axle to "neutral" position.

15 Continue to fill system until normal vehicle level is attained.

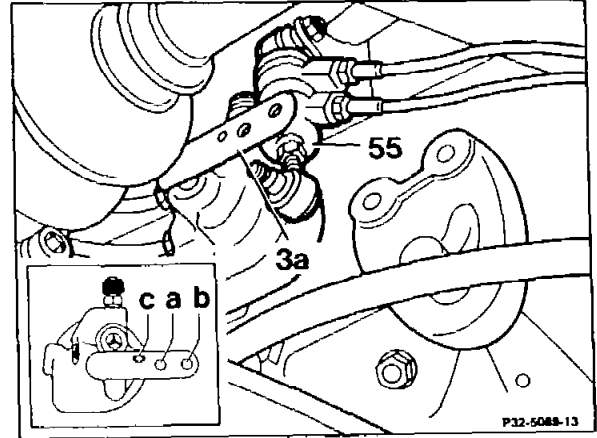
16 Move levers on level controllers (3 and 6) to center position.



17 Engage control rod (55) on rear axle in bore "a" in lever (3a) and tighten new self-locking hexagon nut to 10 Nm.

18 Connect control rod on front axle to torsion bar lever using new self-locking hexagon nut, 10 Nm.

19 Push rubber cap onto switch.



20 Check oil level in oil reservoir when engine is not running and correct if necessary. When the system is operational, the oil level should be between the "max" and "min" marks in the ready-to-drive condition.

Note

Only use approved hydraulic oils.

