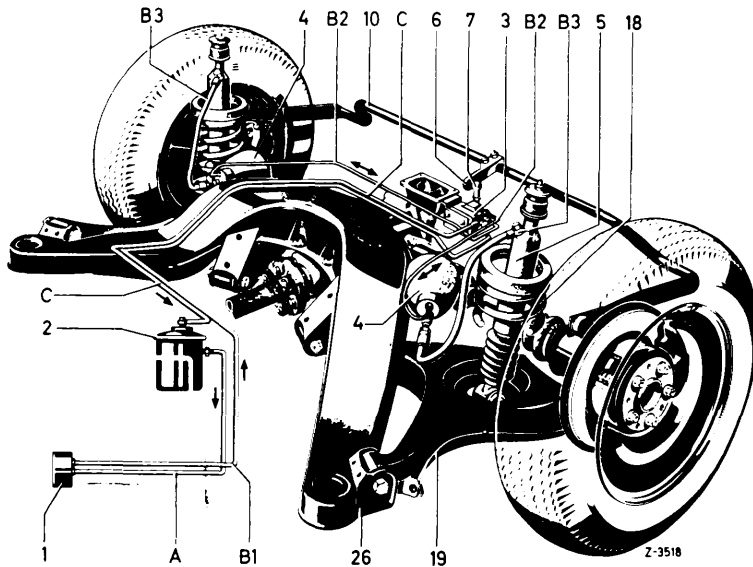


Model 123  
126 up through 08.1985



## Visual inspection

Hydraulic fluid pump  
Fluid reservoir  
Level controller  
Pressure reservoir  
Spring struts  
Line connections

Check hoses and lines for chafing, dents, cracks, corrosion, and leaks (with engine running).

**Note:** To check for leaks that may only occur when the vehicle is loaded, check vehicle with the engine running and with vehicle rear loaded with approx. 150 kg (or 2 persons).